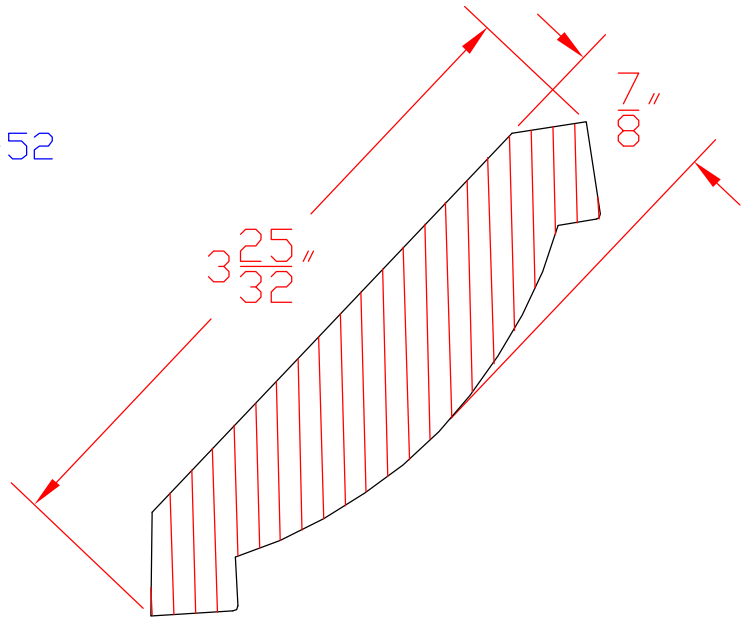


1-52



bin 10-a



**Accent Architectural Millworks, Inc.**

Mouldings

ITEM	Crown	BY	DRB
PROJECT		Page #	11-8
SCALE	Full	DATE:	01/01/02