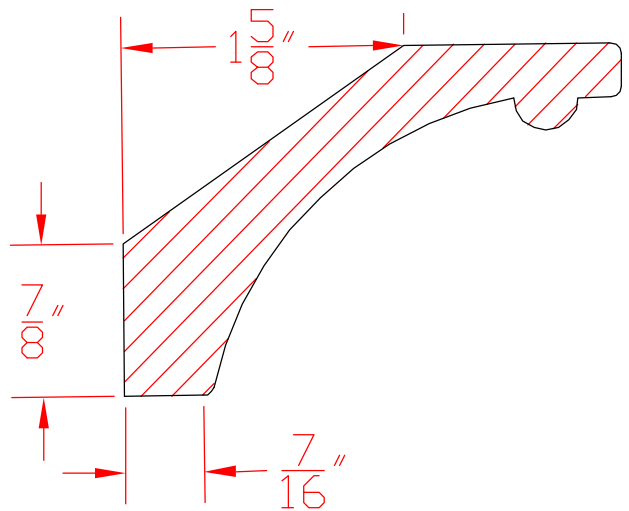


1-20



1-12



**Accent Architectural Millworks, Inc.**

Mouldings

ITEM	Crown	BY	DRB
PROJECT		Page #	
SCALE	Full	DATE:	01/01/02
			11-6