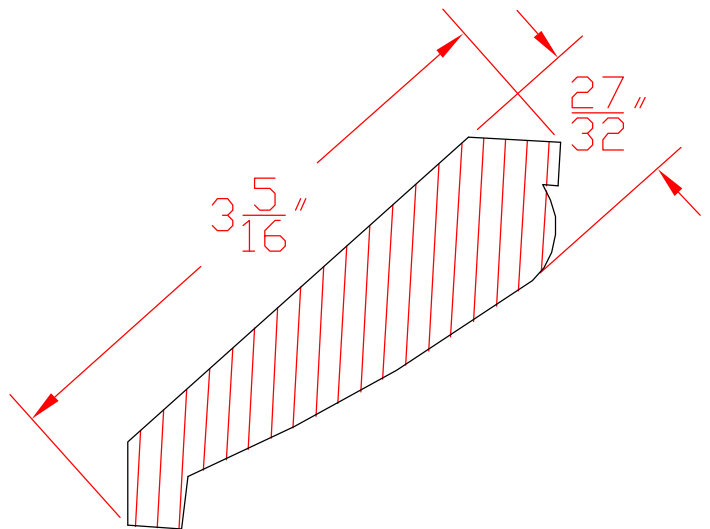


1-36



1-11



Accent Architectural Millworks, Inc.

Mouldings

ITEM	Crown	BY	DRB
PROJECT		Page #	11-2
SCALE	Full	DATE:	