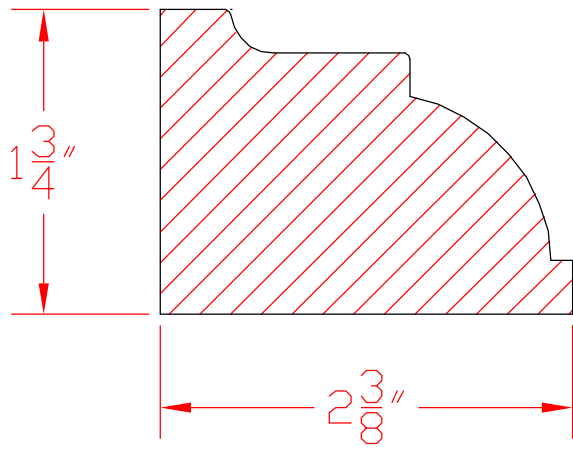
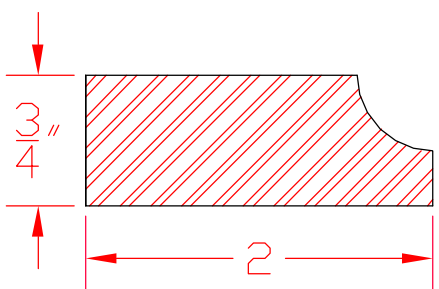



bin 308



bin 91-a



2-46

 Accent Architectural Millworks, Inc.		
Mouldings		
ITEM	Casings	BY DRB
PROJECT		Page #
SCALE	Full	DATE: 01/01/02
		8-30