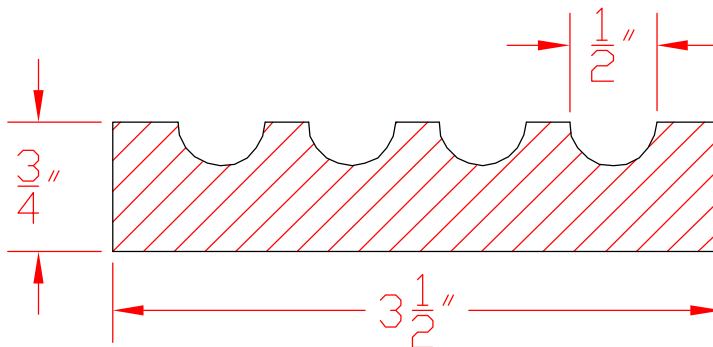
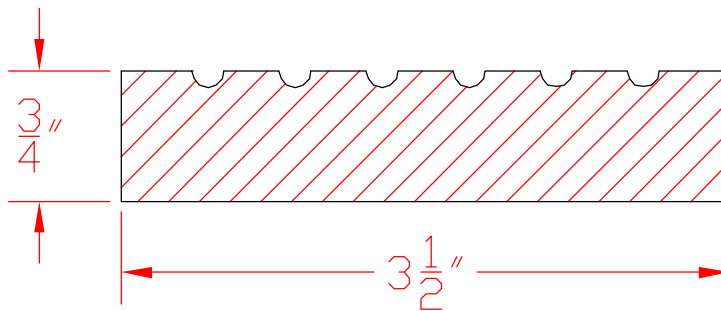


2-42



bin 263



bin 259



Accent Architectural Millworks, Inc.

Mouldings

ITEM	Casings	BY	DRB
PROJECT		Page #	8-29
SCALE	Full	DATE:	01/01/02