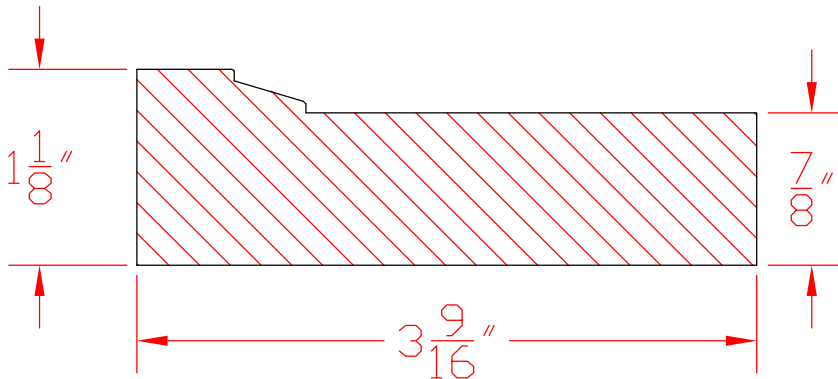
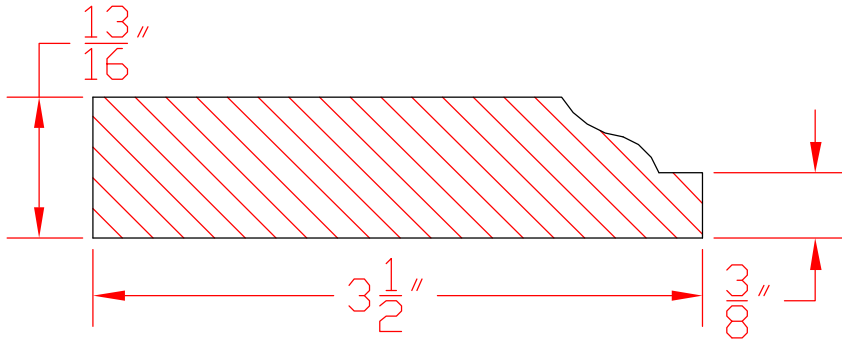


2-11



bin 76-a



bin 77-a



Accent Architectural Millworks, Inc.

Mouldings

ITEM	Casings	BY	DRB
PROJECT		Page #	8-28
SCALE	Full	DATE:	01/01/02