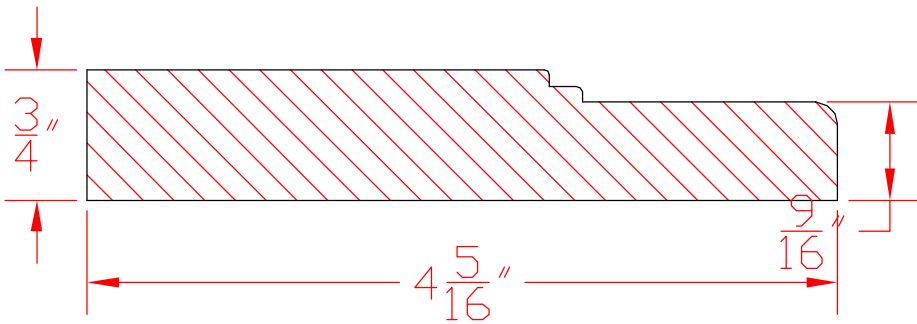
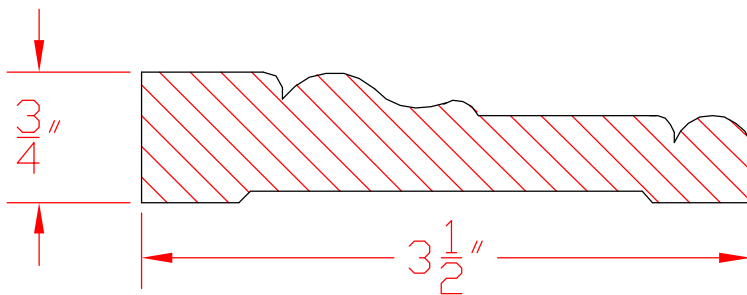


2-8



2-87



2-20



Accent Architectural Millworks, Inc.

Mouldings

ITEM	Casings	BY	DRB
PROJECT		Page #	8-26
SCALE	Full	DATE: 01/01/02	