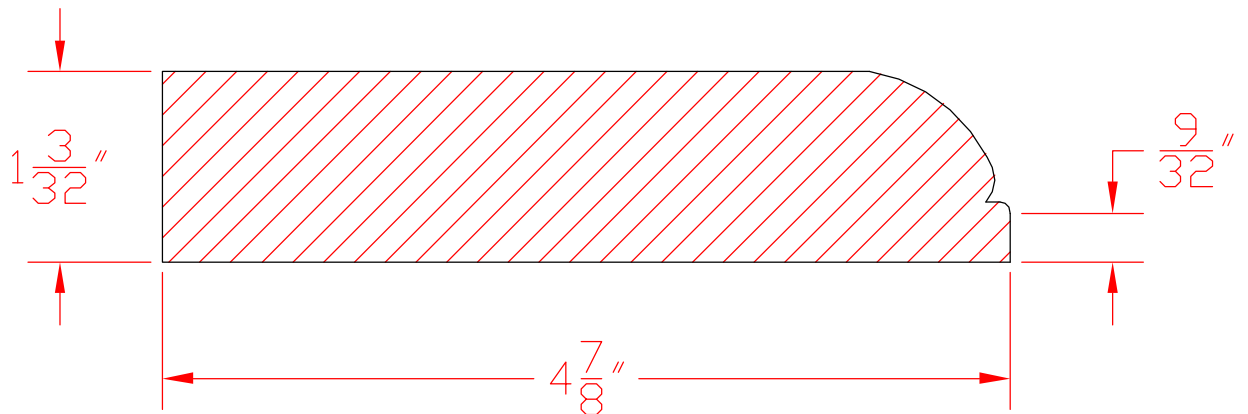


bin 326



bin 80-a



Accent Architectural Millworks, Inc.

Mouldings

ITEM

Casings

BY

DRB

PROJECT

Page #

SCALE

Full

DATE: 01/01/02

8-24