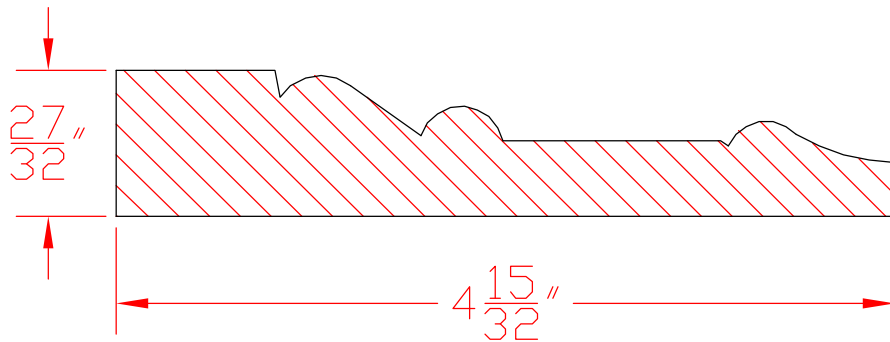
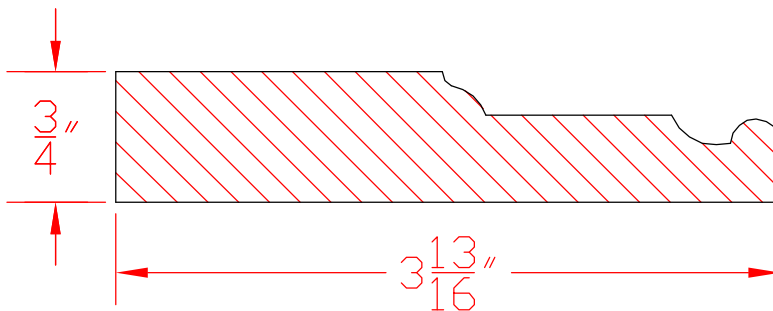


bin 68-a



bin 37-a



bin 93-a



Accent Architectural Millworks, Inc.

Mouldings

ITEM

Casings

BY

DRB

PROJECT

Page #

SCALE

Full

DATE: 01/01/02

8-20