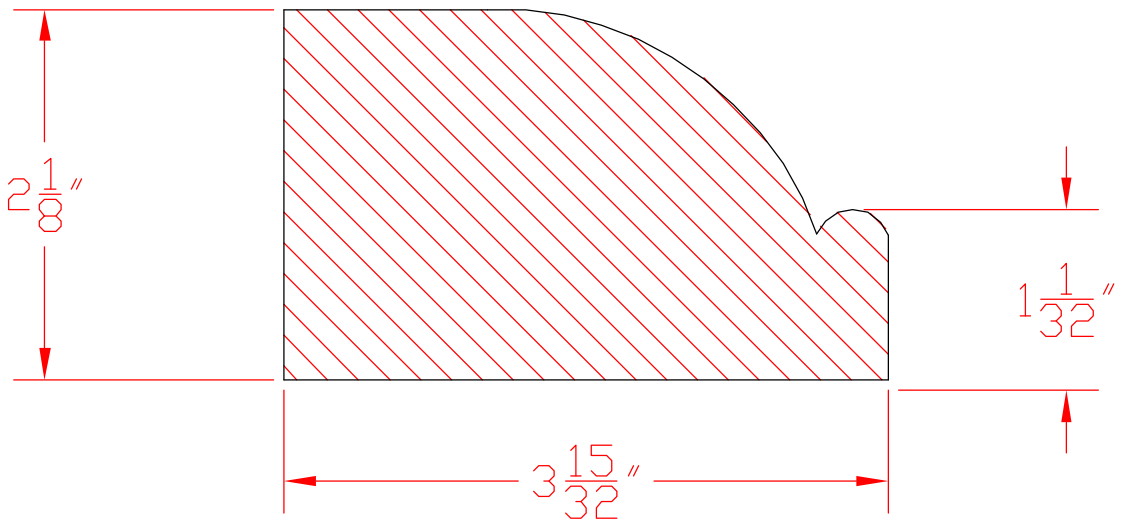


2-53



2-103



Accent Architectural Millworks, Inc.

Mouldings

ITEM	Casings	BY	DRB
PROJECT		Page #	8-19
SCALE	Full	DATE:	