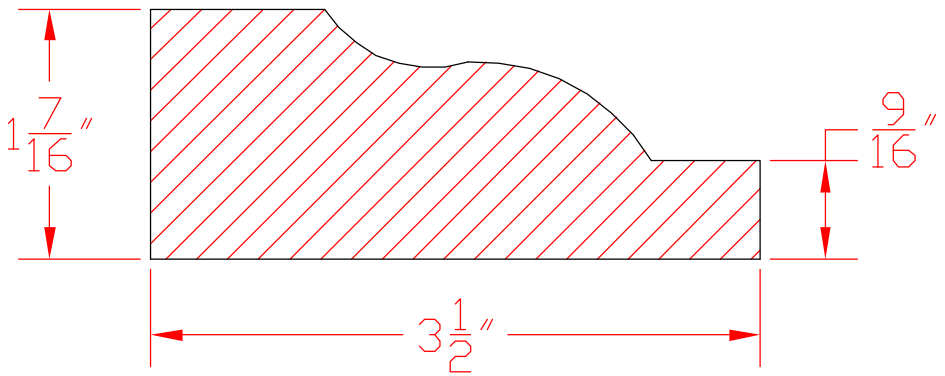
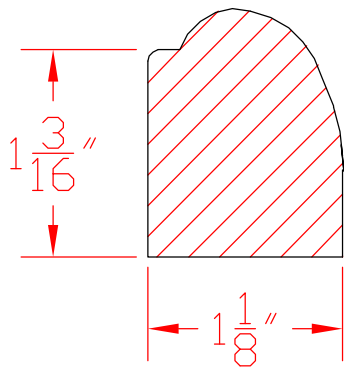



bin 285



bin 306



2-107

 <b>Accent Architectural Millworks, Inc.</b>		
Mouldings		
ITEM	Casings	BY DRB
PROJECT		Page #
SCALE	Full	DATE: 01/01/02
		<b>8-15</b>