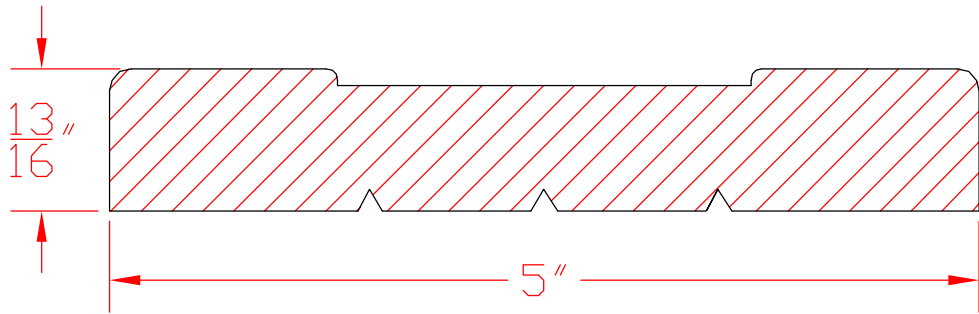
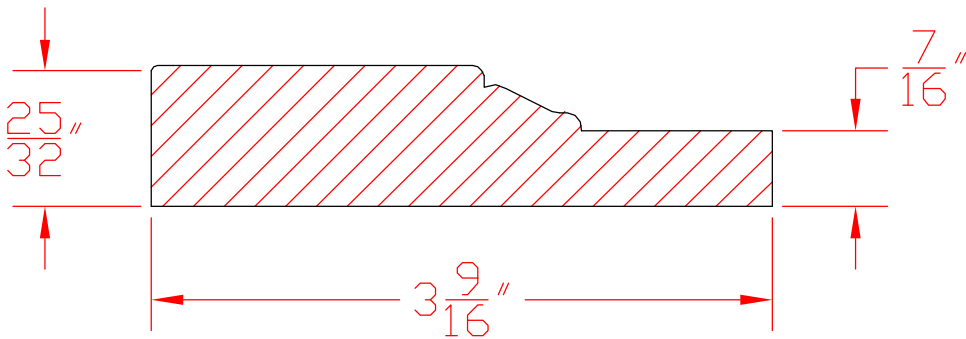



bin 272



2-40



bin 82-a

 Accent Architectural Millworks, Inc.	
Mouldings	
ITEM	Casings
PROJECT	Page #
SCALE Full	DATE: 01/01/02
8-14	

BY DRB