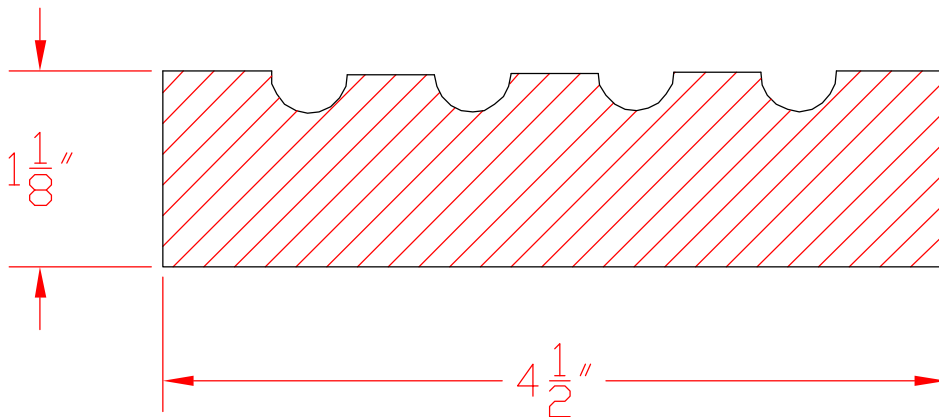
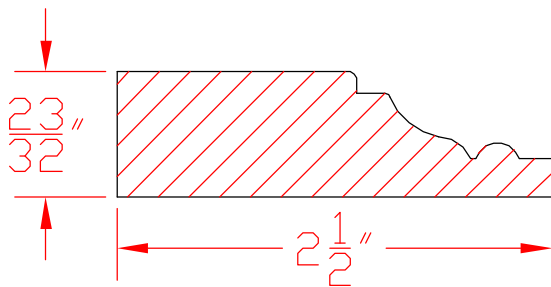


bin 3-a



bin 260



2-23

 Accent Architectural Millworks, Inc.	
Mouldings	
ITEM	Casings
PROJECT	BY DRB
SCALE Full	Page #
DATE: 01/01/02	8-13