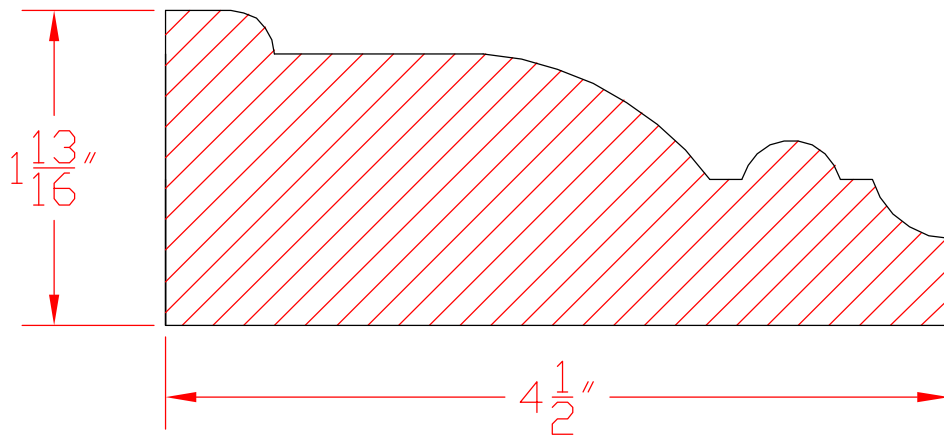
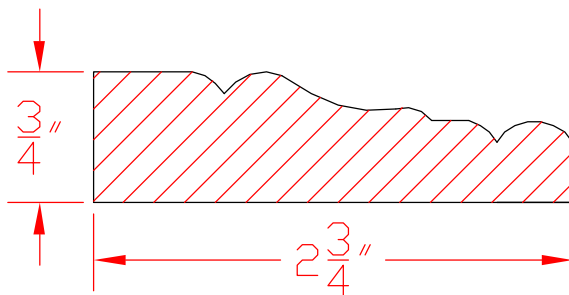


2-34



2-32



bin 266



**Accent Architectural Millworks, Inc.**

**Mouldings**

ITEM	<b>Casings</b>	BY	DRB
PROJECT		Page #	<b>8-8</b>
SCALE	Full	DATE:	01/01/02