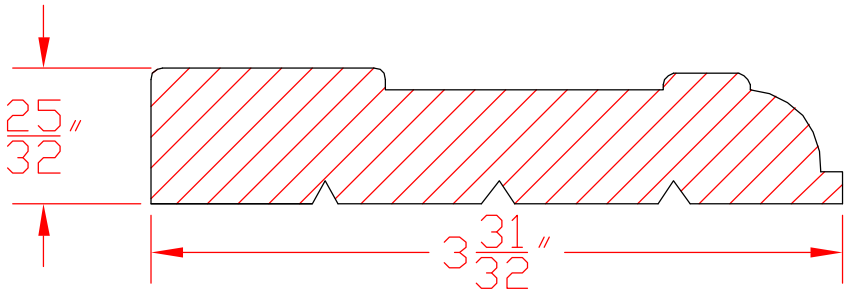



bin 233



2-113

 Accent Architectural Millworks, Inc.	
Mouldings	
ITEM	Casings
PROJECT	Page #
SCALE Full	DATE: 01/01/02
8-4	