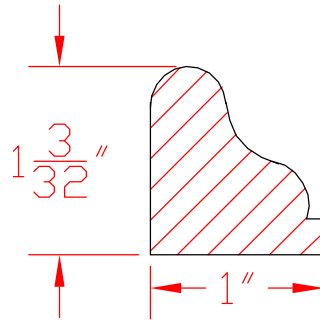
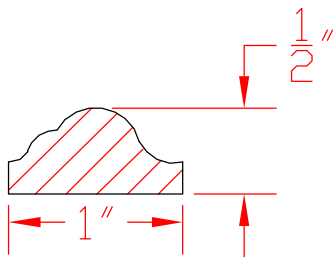


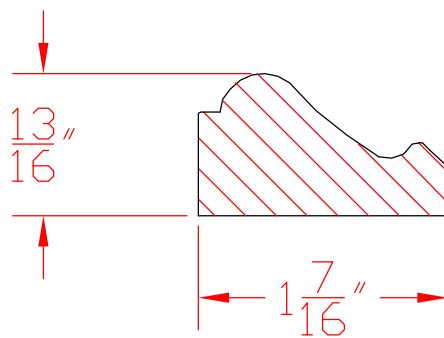
2-86



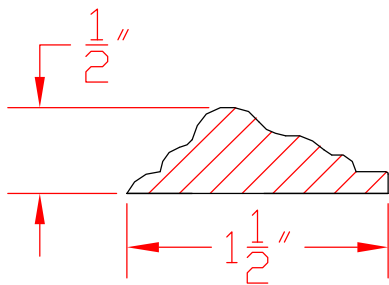
2-115




bin 17-a



2-96-a



bin 292-b

 <b>Accent Architectural Millworks, Inc.</b>		
<b>Mouldings</b>		
ITEM	<b>Cap Mould</b>	BY DRB
PROJECT	Page #	<b>7-4</b>
SCALE Full	DATE: 01/01/02	