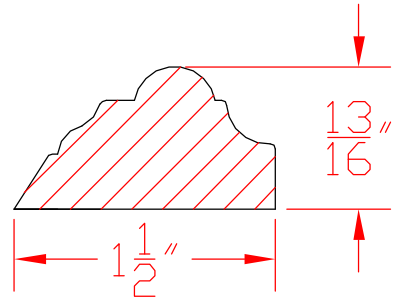
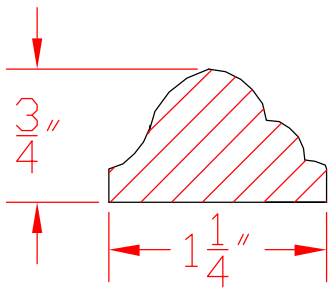


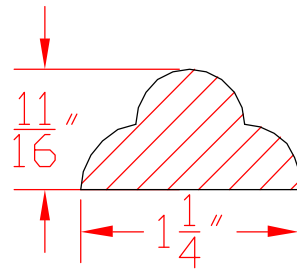
2-109



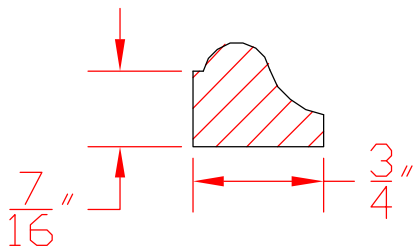
2-74




2-102



bin 61-a



bin 57-a

 Accent Architectural Millworks, Inc.		
Mouldings		
ITEM	Cap Mould	BY DRB
PROJECT		Page #
SCALE	Full	DATE: 01/01/02
		7-3