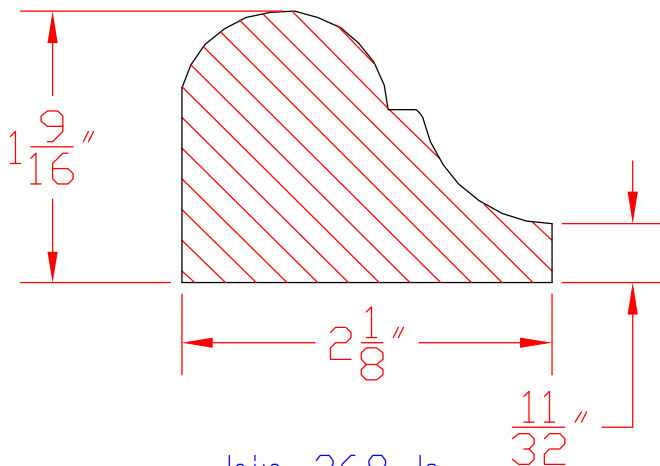
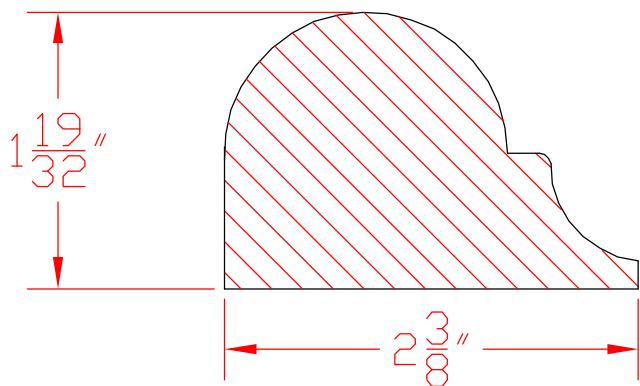


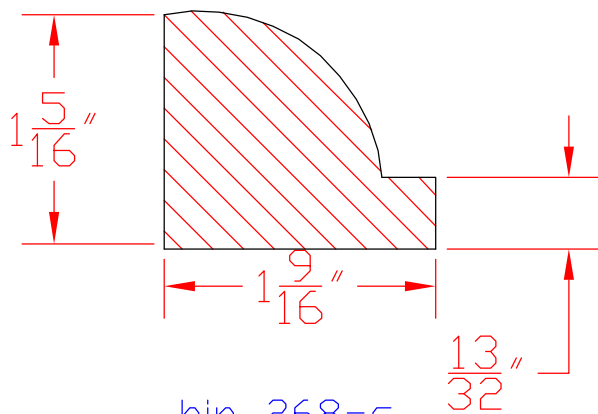
2-59



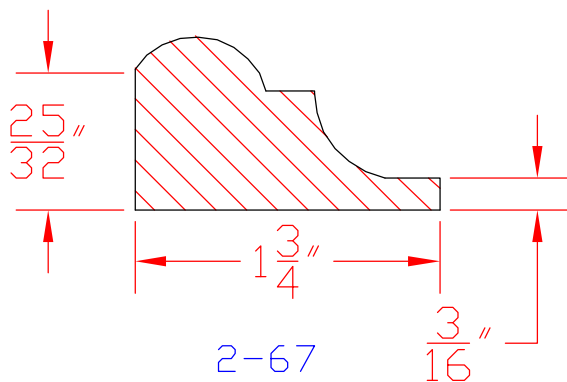
bin 268-b




bin 90-a



bin 268-c



2-67

 <b>Accent Architectural Millworks, Inc.</b>		
Mouldings		
ITEM	Cap Mould	BY DRB
PROJECT		Page #
SCALE	Full	DATE: 01/01/02
		7-1