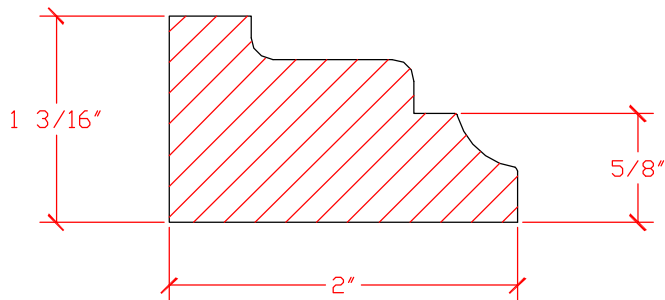
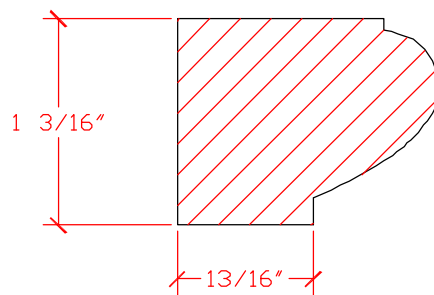


UA-9402 Bin 91-A



UA-9401 Bin 2-75



UA-1641 Bin 95-A



Accent Architectural Millworks, Inc.

Mouldings

ITEM	Brick Mould	BY	DRB
PROJECT		Page #	6-3
SCALE	Full	DATE: 01/01/02	