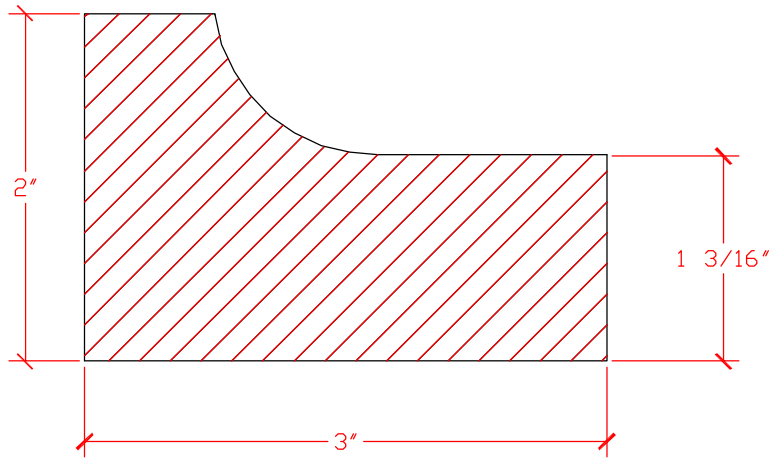


UA-1627 Bin 281



UA-1630 Bin 308



Accent Architectural Millworks, Inc.

Mouldings

ITEM	Brick Mould	BY	DRB
PROJECT		Page #	6-2
SCALE	Full	DATE: 01/01/02	