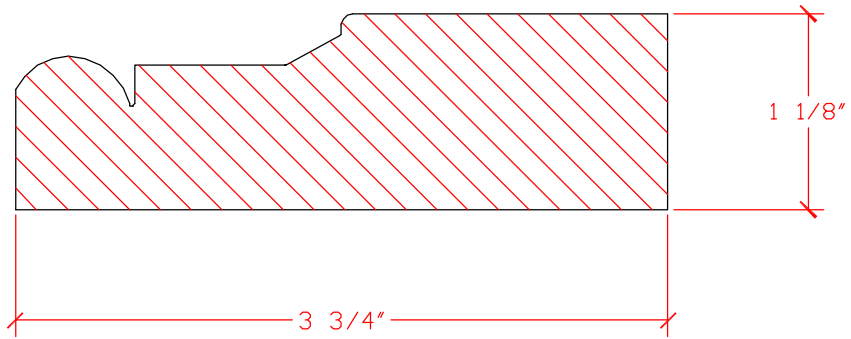


UA-1635 Bin 2-103



UA-1637 Bin 2-120



Accent Architectural Millworks, Inc.

Mouldings

ITEM	Brick Mould	BY DRB
PROJECT		Page #
SCALE	Full	DATE: 01/01/02
		6-1