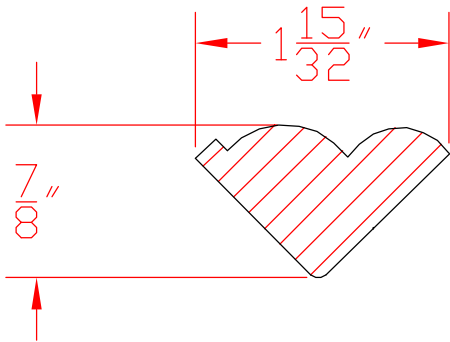


bin 138



bin 6-a



**Accent Architectural Millworks, Inc.**

Mouldings

ITEM	Base Cap	BY DRB
PROJECT	Page #	
SCALE	Full	DATE: 01/01/02
		4-5