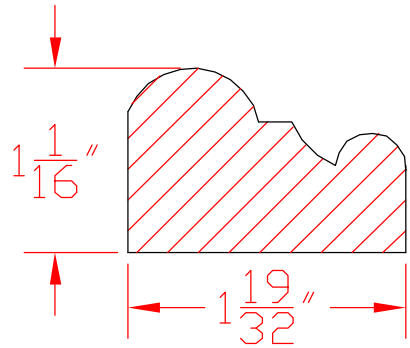
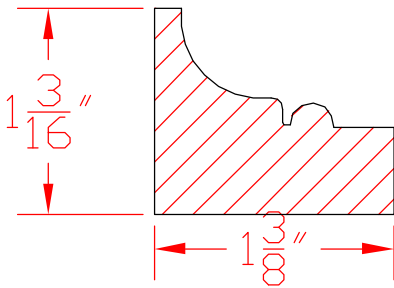


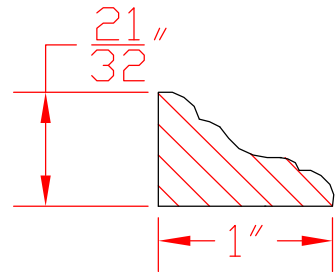
bin 4-b



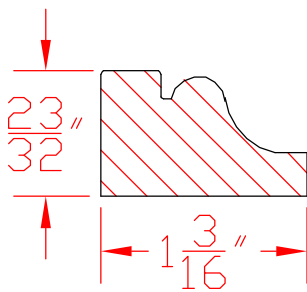
bin 188-a



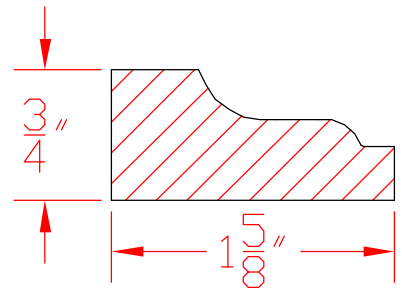
2-125



bin 72-a



bin 45-a



2-49



Accent Architectural Millworks, Inc.

Mouldings

ITEM	Base Cap	BY	DRB
PROJECT		Page #	
SCALE	Full	DATE:	01/01/02
			4-4