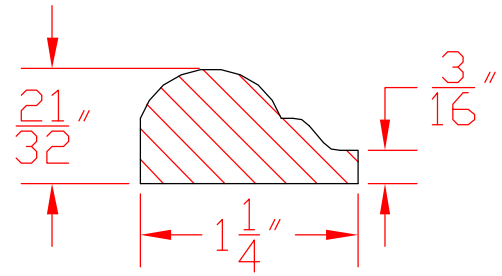
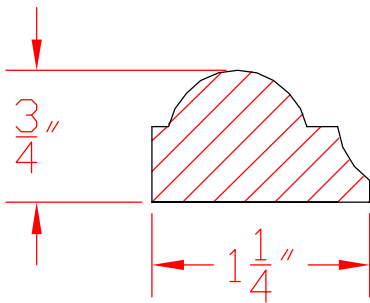


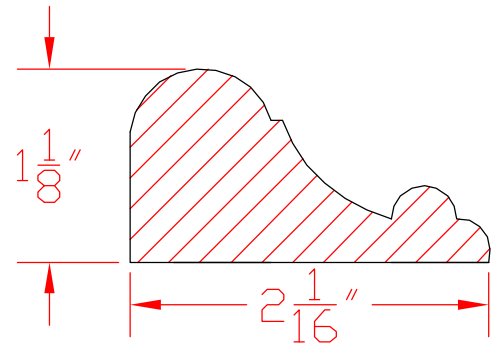
2-89



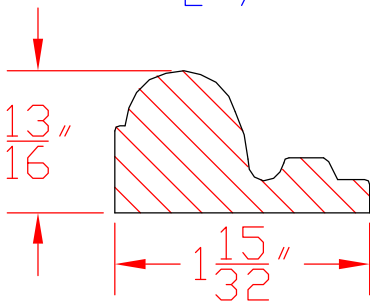
2-52



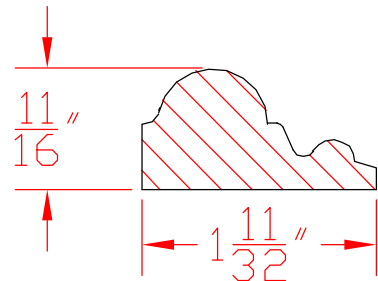
2-7



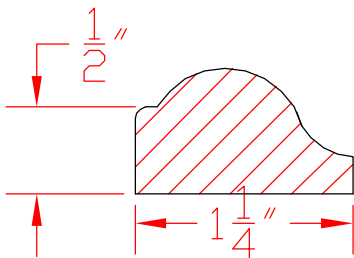
bin 137-b



2-114



bin 38-a



2-50



Accent Architectural Millworks, Inc.

Mouldings

ITEM	Base Cap	BY	DRB
PROJECT		Page #	
SCALE	Full	DATE:	01/01/02
			4-3