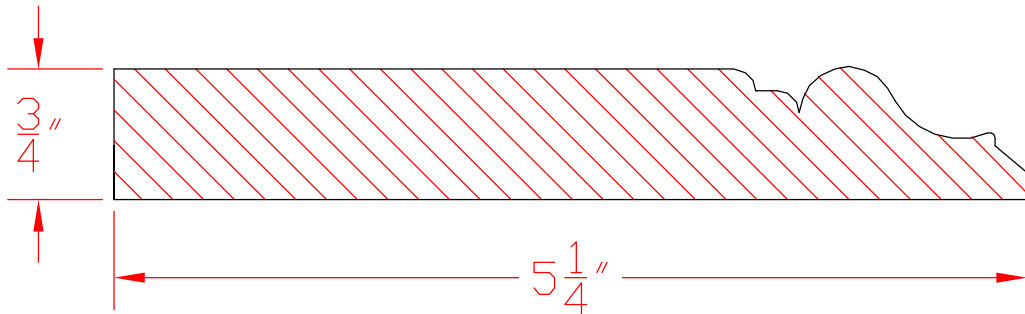
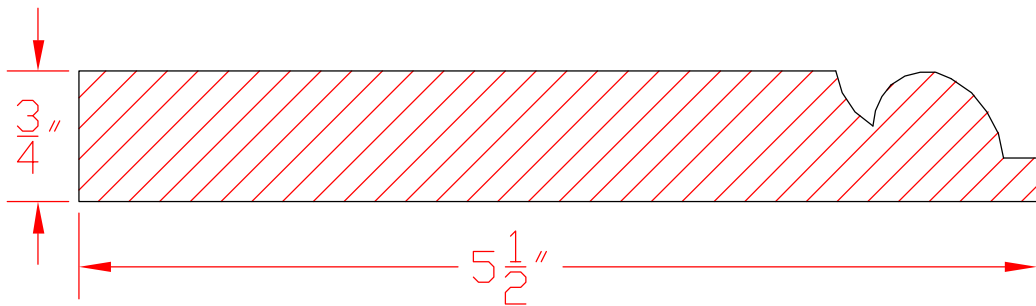


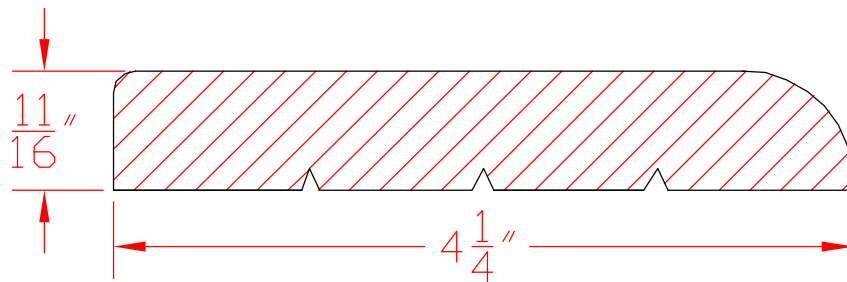
bin 24-a



2-36



bin 66-a



2-16

AA M		Accent Architectural Millworks, Inc.	
Mouldings			
ITEM	Base		BY DRB
PROJECT			Page # 3-4
SCALE	Full	DATE: 01/01/02	