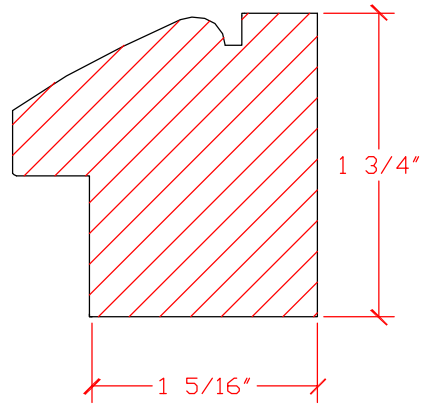
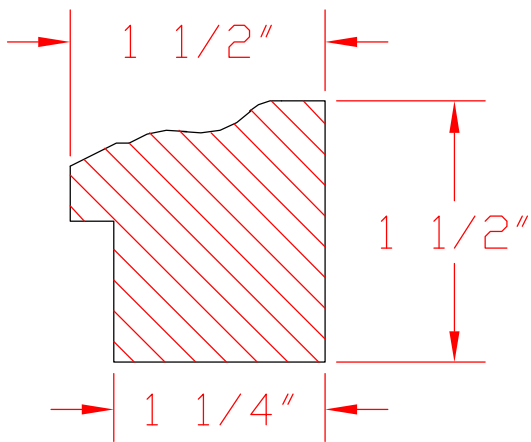


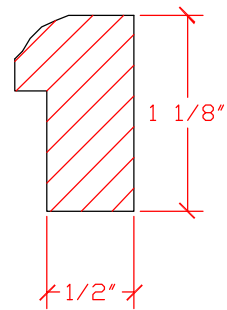
UA-5250 Bin 92-A



UA-5228 Bin 81-A



UA-115 Bin 294



UA-128 Bin 47-A



**Accent Architectural Millworks, Inc.**

**Mouldings**

ITEM	<b>Back Band</b>	BY DRB
PROJECT		Page #
SCALE	Full	DATE: 01/01/02
		<b>2-8</b>