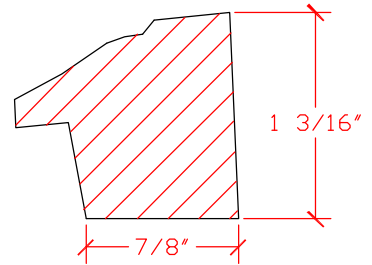
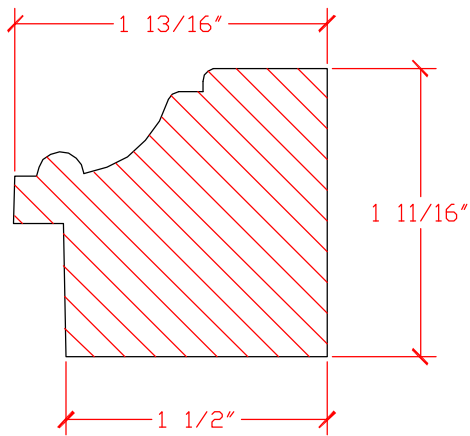


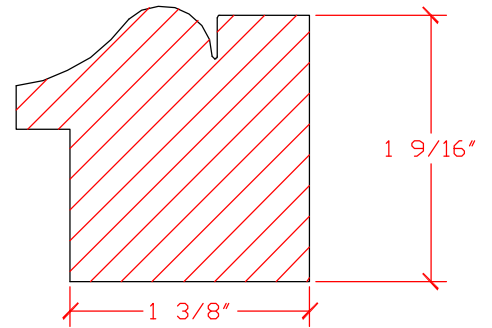
UA-5180 Bin 58-A



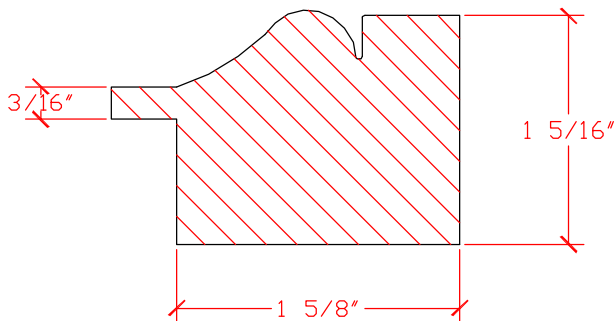
UA-5117 Bin 53-A



UA-5220 Bin 69-A



UA-5168 Bin 157



UA-5158 Bin 69-A

 <b>Accent Architectural Millworks, Inc.</b>		
Mouldings		
ITEM	<b>Back Band</b>	BY DRB
PROJECT		Page #
SCALE	Full	DATE: 01/01/02
		<b>2-6</b>