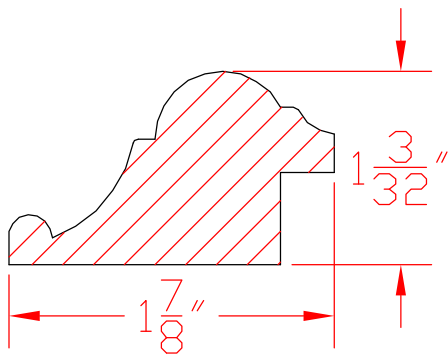


bin 160-a



bin 34-a-2



Accent Architectural Millworks, Inc.

Mouldings

| | | | |
|---------|------------------|----------------|------------|
| ITEM | Back Band | | BY DRB |
| PROJECT | | | Page # |
| SCALE | Full | DATE: 01/01/02 | 2-5 |