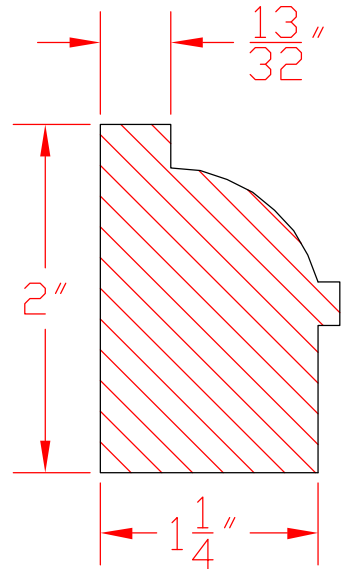
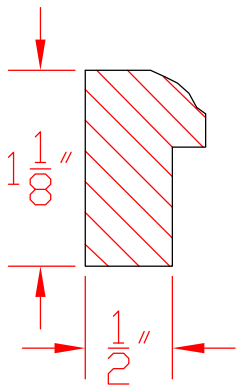


bin 252



bin 162-a



bin 47-a



**Accent Architectural Millworks, Inc.**

**Mouldings**

ITEM	<b>Back Band</b>	BY DRB
PROJECT		Page #
SCALE	Full	DATE: 01/01/02
		<b>2-4</b>