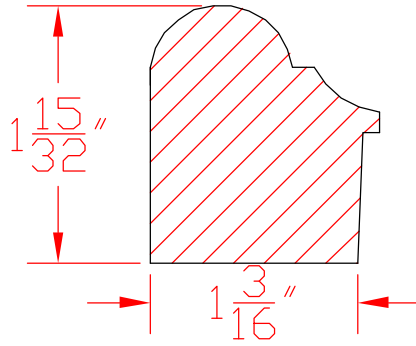
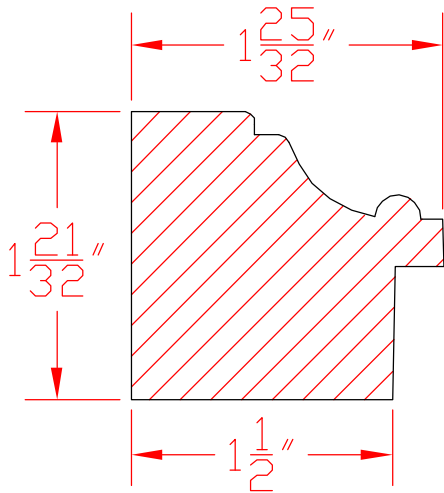


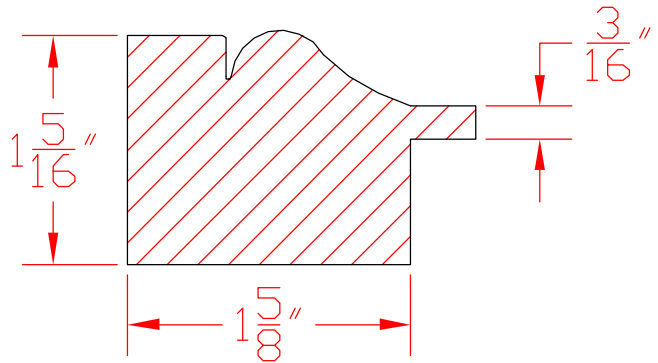
bin 160-b



bin 160-c



bin 69-a



bin 157-b



Accent Architectural Millworks, Inc.

Mouldings

ITEM	Back Band	BY DRB
PROJECT		Page #
SCALE	Full	DATE: 01/01/02
		2-2